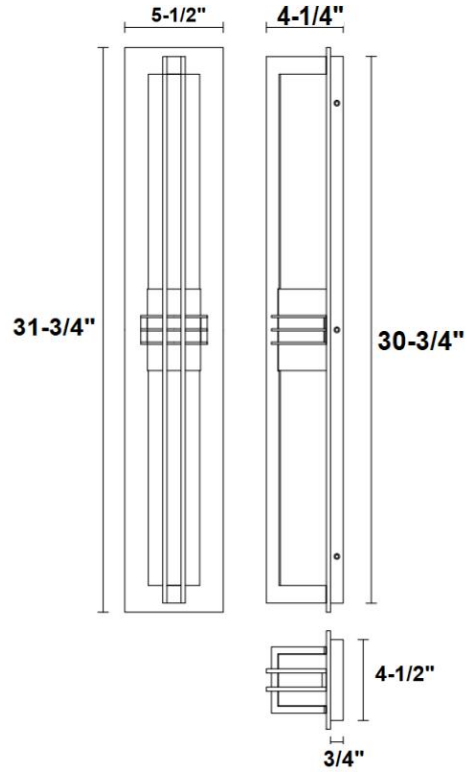


**Calatrava Dual Outdoor -Grande**

**PRODUCT VIEW**



**DIMENSION VIEW**



**SPECIFICATIONS**

SKU	KXW0412D-E
DIMENSION	5-1/2"W x 31-3/4"H x 4-1/4"E
MATERIALS	Iron & Glass
FINISH	Charcoal Black
INTEGRATED LED	26W LED / 2384 LM / 3000K / 90 CRI
WATTS PER SOCKET/ITEM	LED / 26W
BACKPLATE	4-1/2"W x 30-3/4" D x 3/4"H
ADJUSTABLE HEIGHT	N/A
NET WEIGHT	30 LBS

**NOTE:**

- Safety Rate: UL Dry. It is for indoor use only
- Some Assembling work is required. Please follow the instructions.
- Professional installation recommended. Dimmable with compatible bulbs/dimmer.