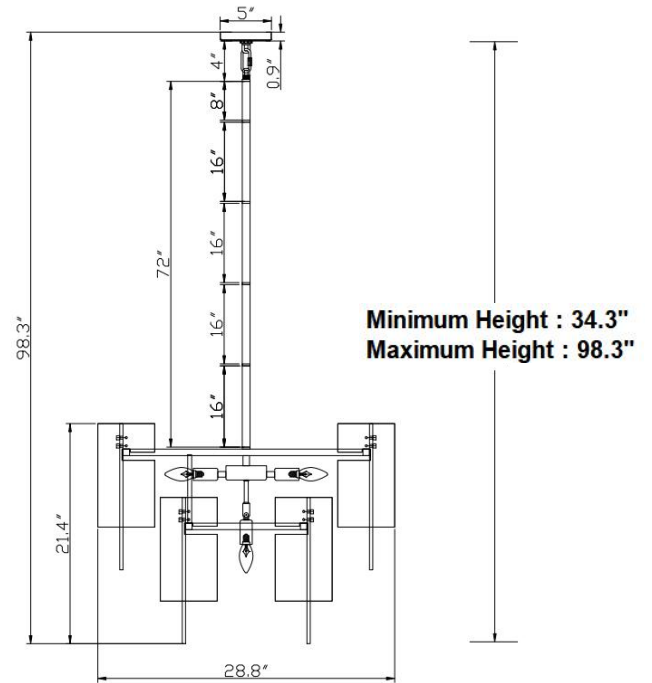


Stratum Two-tier Chandelier - Medium

PRODUCT VIEW



DIMENSION VIEW



SPECIFICATIONS

SKU	KCH5130-29
DIMENSION	29"W x 29"D x 21"H
MATERIALS	Iron+Glass
FINISH	Warm Brass
SOCKET & BULBS	8 x E12
WATTS PER SOCKET/ITEM	40 W / 320 W
CANOPY	5" D x 1"H
WIRE/ROD	144"/4 x 16" + 1 x 8"
NET WEIGHT	83 LBS
ADJUSTABLE HEIGHT	34"Hmin – 98"Hmax

NOTE:

- Safety Rate: UL/ETL Dry. It is for indoor use only
- Some Assembling work is required. Please follow the instructions.
- Professional installation recommended. Dimmable with compatible bulbs/dimmer.