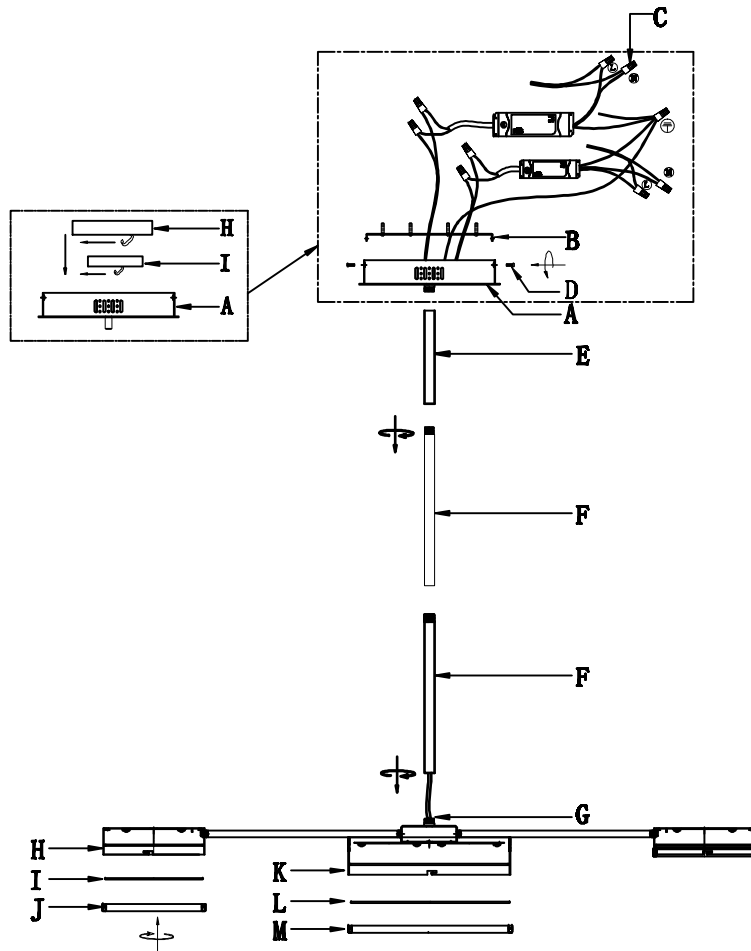
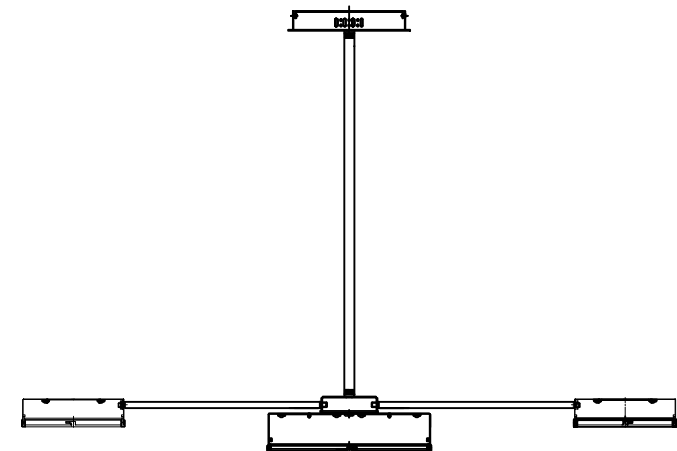


Assembly Instructions

WE RECOMMEND INSTALLATION OF THIS LIGHTING FIXTURE BE DONE BY A LICENSED ELECTRICIAN.
WARNING * SWITCH OFF THE MAIN ELECTRICAL SUPPLY FROM THE MAIN FUSE BOX/CIRCUIT BREAKER BEFORE INSTALLATION.**

1. Carefully remove all parts from the box
2. Link the tubes (E) (F) together (you need link them according the height you want) and thread the linked pipe to the fixture body screw nipple (G)
3. Peel off the protective paper of double faced adhesive tape at the bottom of the drivers (H) (I) and then stick them firmly in the canopy (A).
4. Remove the mounting bracket (B) from the canopy (A) by loosening the side screws (D)
5. **INSURE THE ELECTRICITY SUPPLY IS TURNED OFF**
6. Affix the mounting bracket (B) on the outlet box
7. Wrap safety cables in drivers (H) (I) with the main power with nipples (C), push the cable into the outlet box.
8. Attach the canopy (A) to the mounting bracket (B) and secure with screws (D)
9. Put the glass (L) on the ring (M) and then close ring (K) and overlap the cut dents and then turn ring (M) clockwise. Install parts-glass (I) and ring (J) to ring (H) also like that way.
10. Installation is complete, turn on power at fuse or circuit breaker.

*****Clean with a dry, soft cloth only. Use no harsh abrasives or chemical agents*****



KCH0135-12

