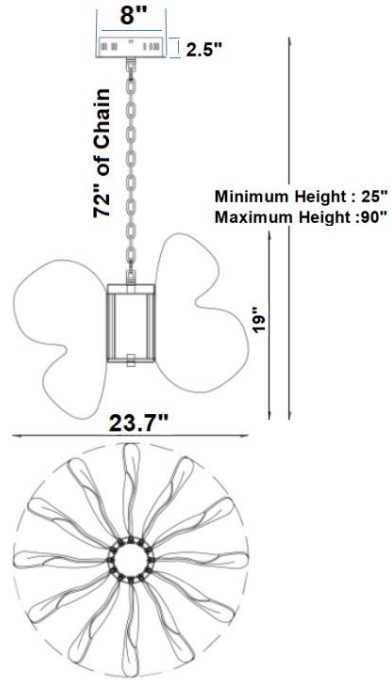


Eleanora Chandelier - Small

PRODUCT VIEW



DIMENSION VIEW



SPECIFICATIONS

SKU	KCH3201-24
DIMENSION	24"W x 24"D x 19"H
MATERIALS	Iron & Acrylic
FINISH	Brushed Gold
INTEGRATED LED	2200LM/3000K/80W
WATTS PER SOCKET/ITEM	LED / 80 W
CANOPY	8" D x 2-1/2"H
WIRE/CHAIN	120"/72"
NET WEIGHT	23 LBS
ADJUSTABLE HEIGHT	25"Hmin – 90"Hmax

NOTE:

- Safety Rate: UL/ETL Dry. It is for indoor use only
- Some Assembling work is required. Please follow the instructions.
- Professional installation recommended. Dimmable with compatible bulbs/dimmer.