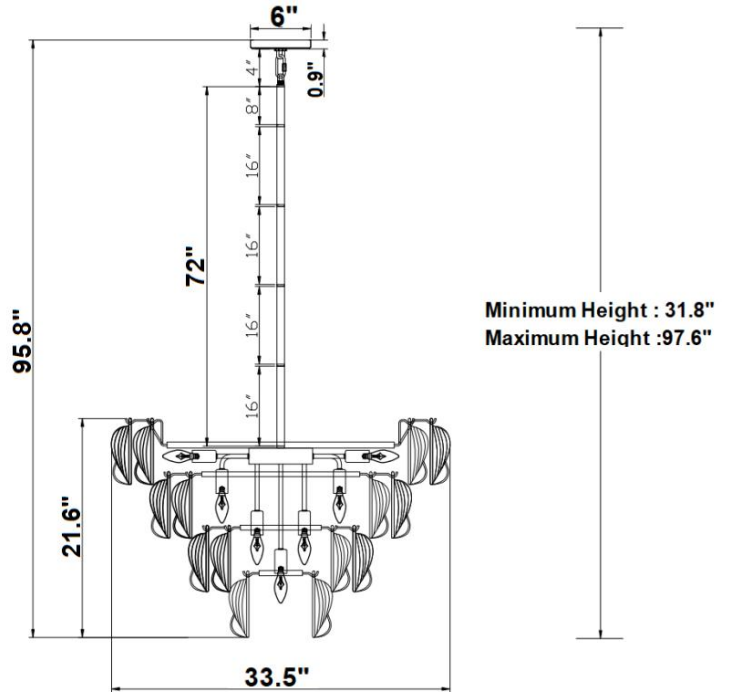


**Florentine Winds Chandelier - Large**

**PRODUCT VIEW**



**DIMENSION VIEW**



**SPECIFICATIONS**

SKU	KCH5150-30
DIMENSION	34"W x 34"D x 22"H
MATERIALS	Iron & Glass
FINISH	Warm Brass
SOCKET & BULBS	13 x E12
WATTS PER SOCKET/ITEM	40 W / 520 W
CANOPY	6" D x 1"H
WIRE/RODS	144"/ 4 x 16" + 1 x 8"
NET WEIGHT	74 LBS
ADJUSTABLE HEIGHT	31"Hmin – 98"Hmax

**NOTE:**

- Safety Rate: UL/ETL Dry. It is for indoor use only
- Some Assembling work is required. Please follow the instructions.
- Professional installation recommended. Dimmable with compatible bulbs/dimmer.