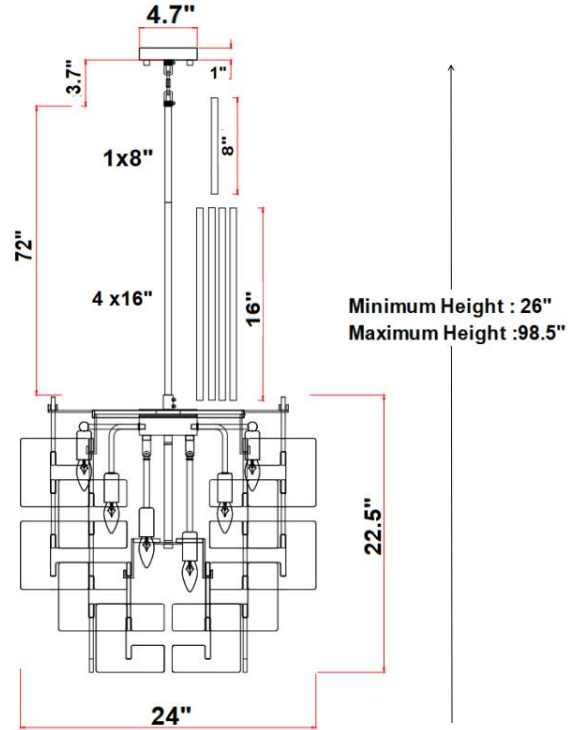


**Atlas Cube Chandelier**

**PRODUCT VIEW**



**DIMENSION VIEW**



**SPECIFICATIONS**

SKU	KCH5170-24
DIMENSION	24"W x 24"D x 23"H
MATERIALS	Iron & Glass
FINISH	Warm Brass
SOCKET & BULBS	12 x E12
WATTS PER SOCKET/ITEM	40 W / 480 W
CANOPY	5"D x 1"H
WIRE/RODS	144"/4 X 16" + 1 X 8"
NET WEIGHT	82 LBS
ADJUSTABLE HEIGHT	26"Hmin – 98"Hmax

**NOTE:**

- Safety Rate: ETL Dry. It is for indoor use only
- Some Assembling work is required. Please follow the instructions.
- Professional installation recommended. Dimmable with compatible bulbs/dimmer.