

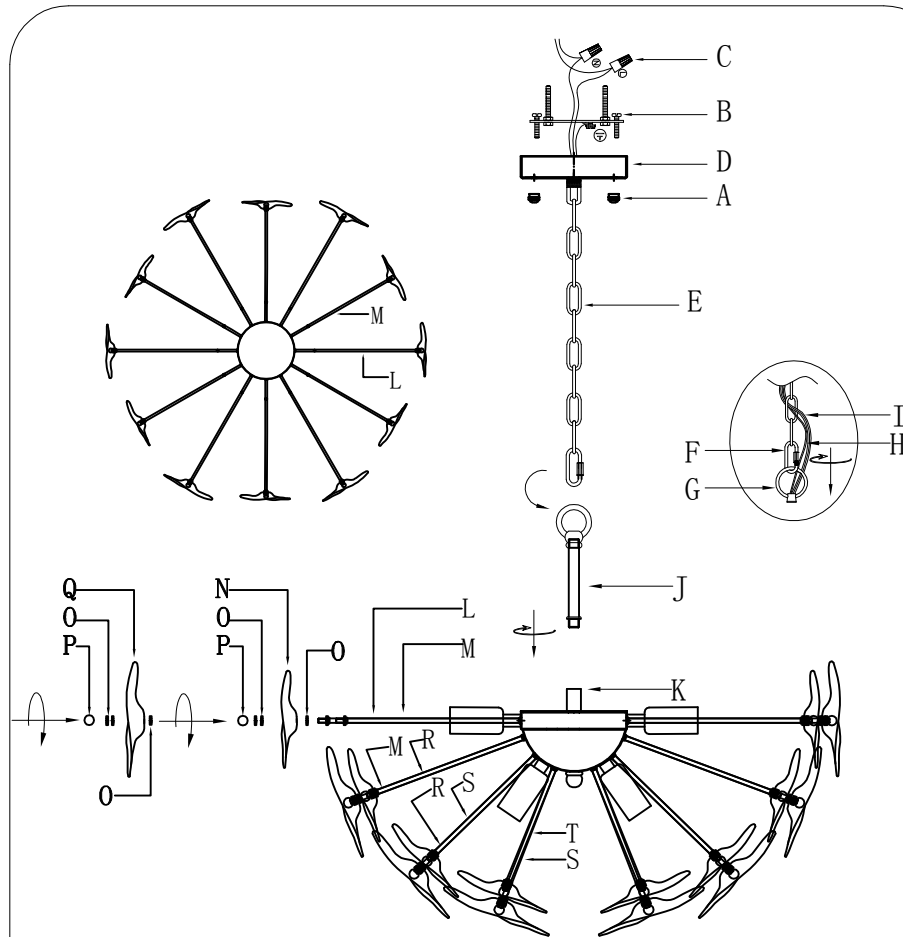
# Assembly Instructions

WE RECOMMEND INSTALLATION OF THIS LIGHTING FIXTURE BE DONE BY A LICENSED ELECTRICIAN.

WARNING \*\*\* SWITCH OFF THE MAIN ELECTRICAL SUPPLY FROM THE MAIN FUSE BOX/CIRCUIT BREAKER BEFORE INSTALLATION.

1. Carefully remove all parts from the box
2. Remove the mounting bracket (B) from the canopy (D) by loosening the screws (A)
3. Taking off the open ring (F) and use the dimensions of the fixture as a guide, shorten the chain (E) as needed using a pair of chain pliers and then install the centre pipe (J) in the screw nipple (K) according to the illustration.
4. Use the open ring (F) to link the chain (E) and the loop (G), then put the cable (H) and naked earth cable (I) through the chain (E) in every 3-4 rings until through the canopy (D).
5. Install the wire sticks (L) (M) alternately in the first circle, then in turn to (M) (R), then (R) (S) and last (S) (T) according to the illustration.
6. INSURE THE ELECTRICITY SUPPLY IS TURNED OFF
7. Affix the mounting bracket (B) on the outlet box
8. Wrap both safety cable with nipples (C), push the cable into the outlet box.
9. Attach the canopy (D) to the mounting bracket (B) and secure with the screws (A)
10. Install the bulbs on the sockets
11. Install the lotus glass (N) (Q) on the wire sticks circle by circle from top to bottom with the screw balls (P) and the clear washers (O) according to the illustration. **NOTE: big glass on the long wire stick while small glass on the short wire stick, and one clear washer at the bottom and two washers on the top.**
12. Installation is complete, turn on power at fuse or circuit breaker.

\*\*\*Clean with a dry, soft cloth only. Use no harsh abrasives or chemical agents\*\*\*



H21104-6BR

