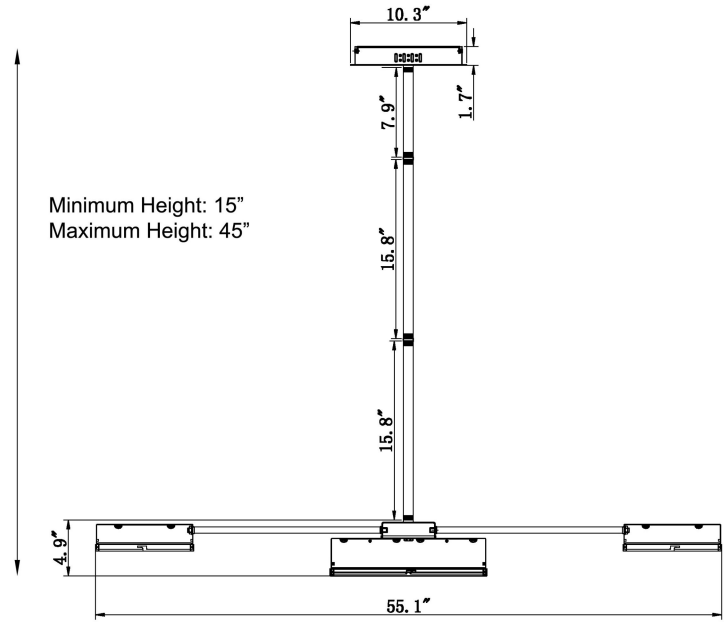


Gonzaga Chandelier

PRODUCT VIEW



DIMENSION VIEW



SPECIFICATIONS

SKU	KCH0135-12
DIMENSION	55"W x 55"D x 5"H
MATERIALS	Iron & Glass
FINISH	Matte Black
INTEGRATED LED	9600LM/3000K/98W
WATTS PER SOCKET/ITEM	N/A
CANOPY	10" D x 2"H
WIRE/RODS	120"/ 1 x 8" + 2 x 16"
NET WEIGHT	33 LBS
ADJUSTABLE HEIGHT	15"Hmin – 45"Hmax

NOTE:

- Safety Rate: UL/ETL Dry. It is for indoor use only
- Some Assembling work is required. Please follow the instructions.
- Professional installation recommended. Dimmable with compatible bulbs/dimmer.