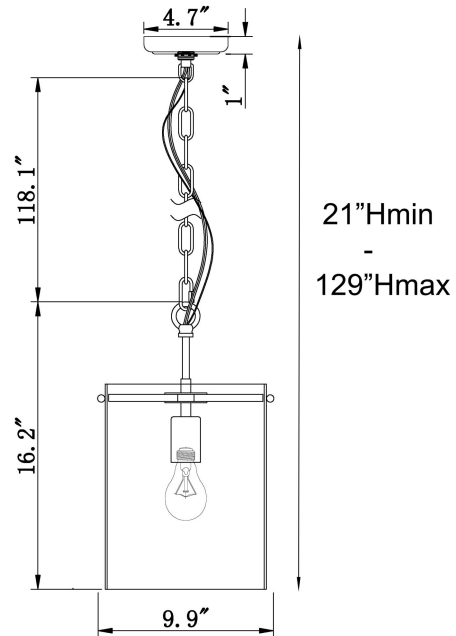


## Adreana Column Pendant

### PRODUCT VIEW



### DIMENSION VIEW



### SPECIFICATIONS

SKU	P21100-1
DIMENSION	10"W x 10"D x 16"H
MATERIALS	Iron & Glass
FINISH	Antique Mercury Glass & Weathered Zinc Patina
SOCKET & BULBS	1 x E26
WATTS PER SOCKET/ITEM	60 W / 60 W
CANOPY	5" Dia x 1"H
WIRE/CHAIN	120"/118"
Weight	8 LBS
ADJUSTABLE HEIGHT	21"Hmin – 129"Hmax

**Antique Mercury Glass:** A silvery glass surface with a timeworn shimmer, softly speckled and luminous—reflecting light with vintage elegance and quiet drama.

#### NOTE:

- Safety Rate: UL/ETL Dry. It is for indoor use only.
- Some Assembling work is required. Please follow the instructions.
- Professional installation recommended. Dimmable with compatible bulbs/dimmer.