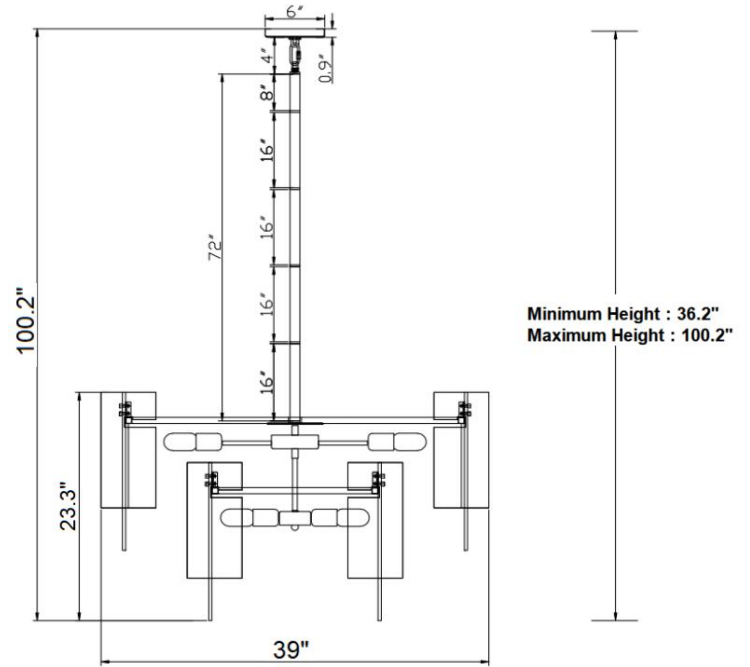


**Stratum Two-tier Chandelier - Large**

**PRODUCT VIEW**



**DIMENSION VIEW**



**SPECIFICATIONS**

SKU	KCH5130-39
DIMENSION	39"W x 39"D x 23"H
MATERIALS	Iron+Glass
FINISH	Warm Brass
SOCKET & BULBS	16 x E12
WATTS PER SOCKET/ITEM	40 W / 640 W
CANOPY	6" D x 1"H
WIRE/ROD	144"/4 x 16" + 1 x 8"
NET WEIGHT	144 LBS
ADJUSTABLE HEIGHT	36"Hmin – 100"Hmax

**NOTE:**

- Safety Rate: UL/ETL Dry. It is for indoor use only
- Some Assembling work is required. Please follow the instructions.
- Professional installation recommended. Dimmable with compatible bulbs/dimmer.